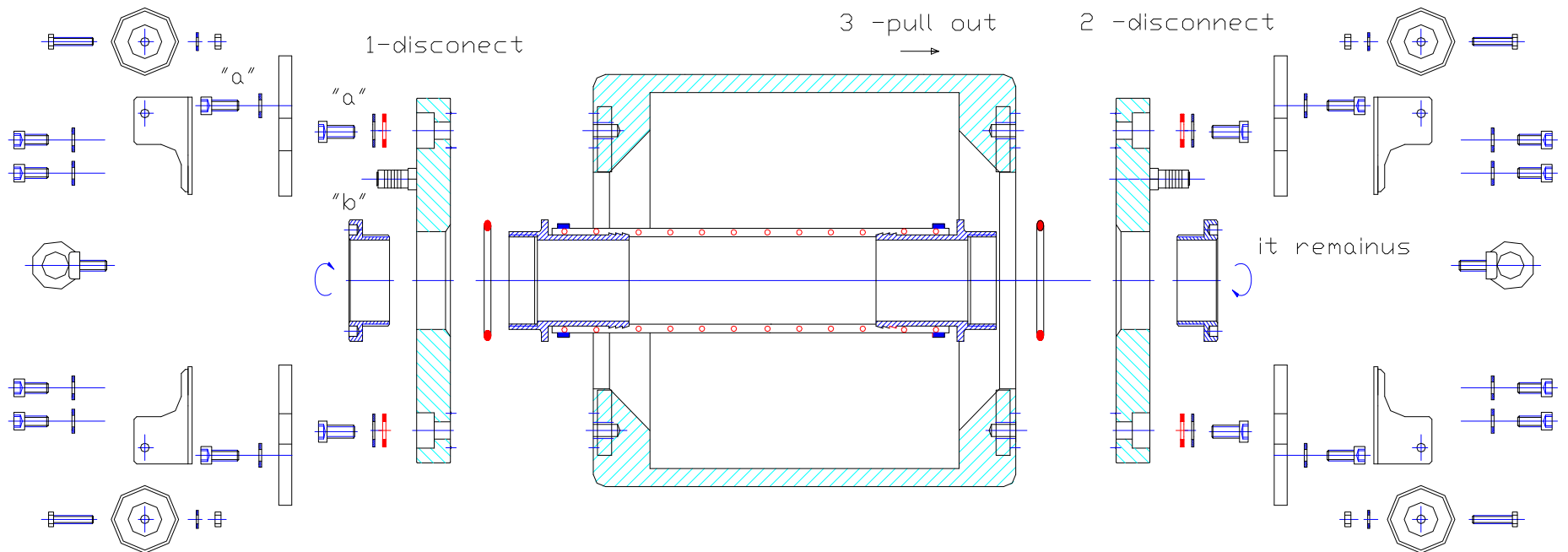


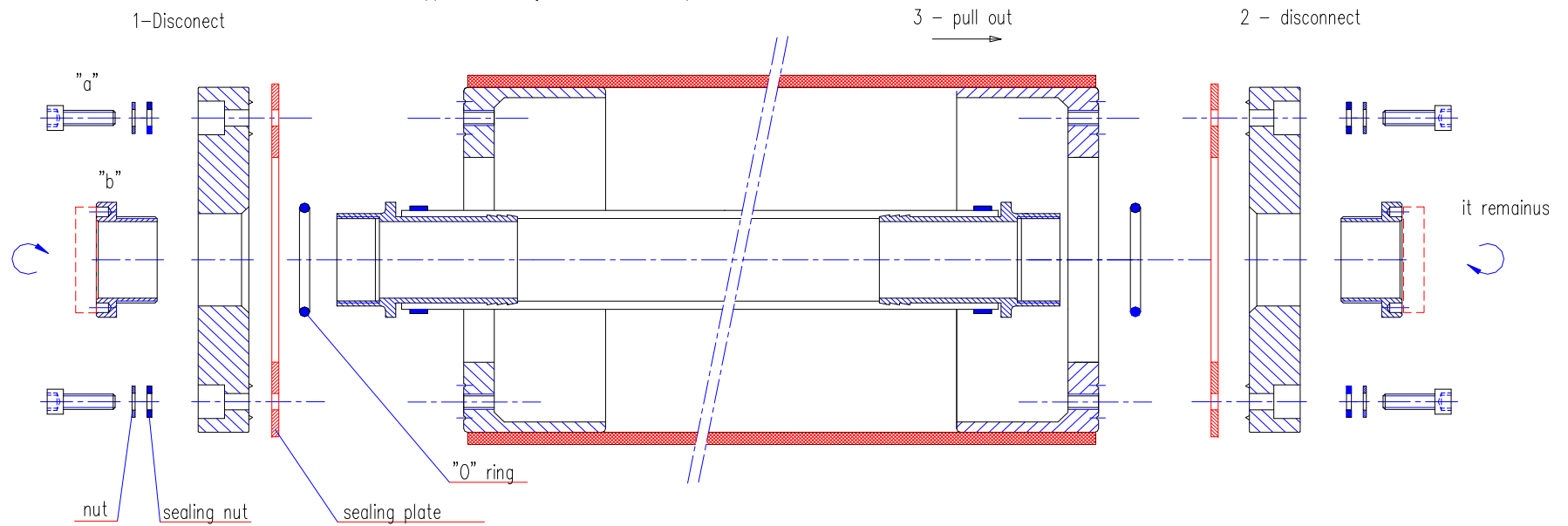
SESTAVA FLEX PAKERJI 30/40; 45/60; 60/80

1. Disconnect one end of the packer
 - a. bolts
 - b. nut
2. Disconnect another end of the packer
"a" bolts only
3. Pull the hose that is going through the packer out of the packer
4. Do the opposite when you assemble new packer

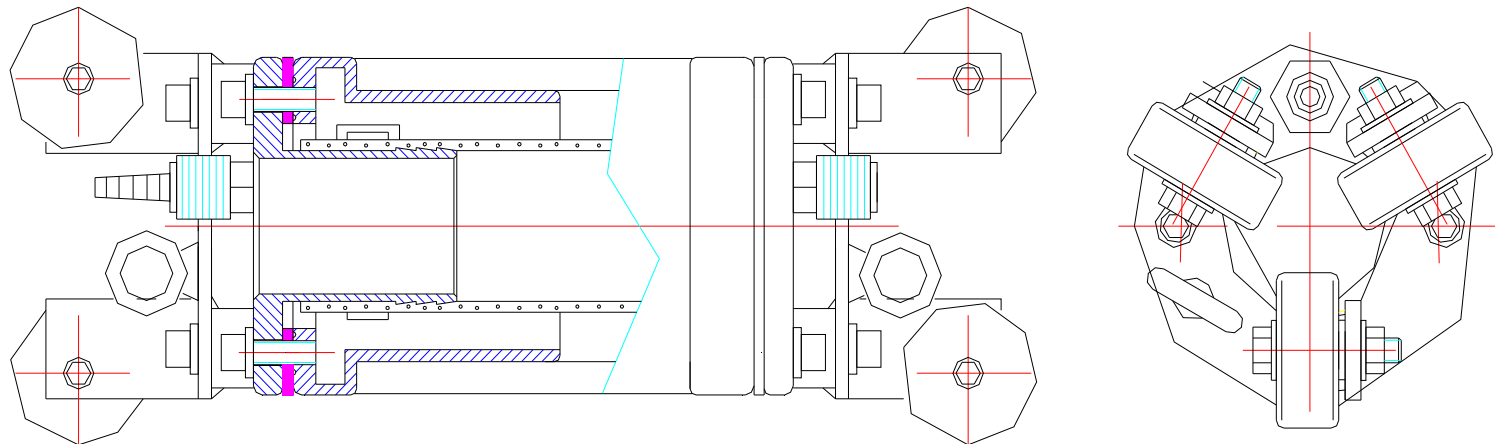


PACKER FLEX - 30/40 ; 45/60; 60/80

1. Disconnect one end of the packer
 - a. bolts
 - b. nut
2. Disconnect another end of the packer
"a" bolts only
3. Pull the hose that is going through the packer out of the packer
4. Do the opposite when you assemble new packer



FLEX PACKER 15/25



Datum :
Izdelač :KRAJGER A.